

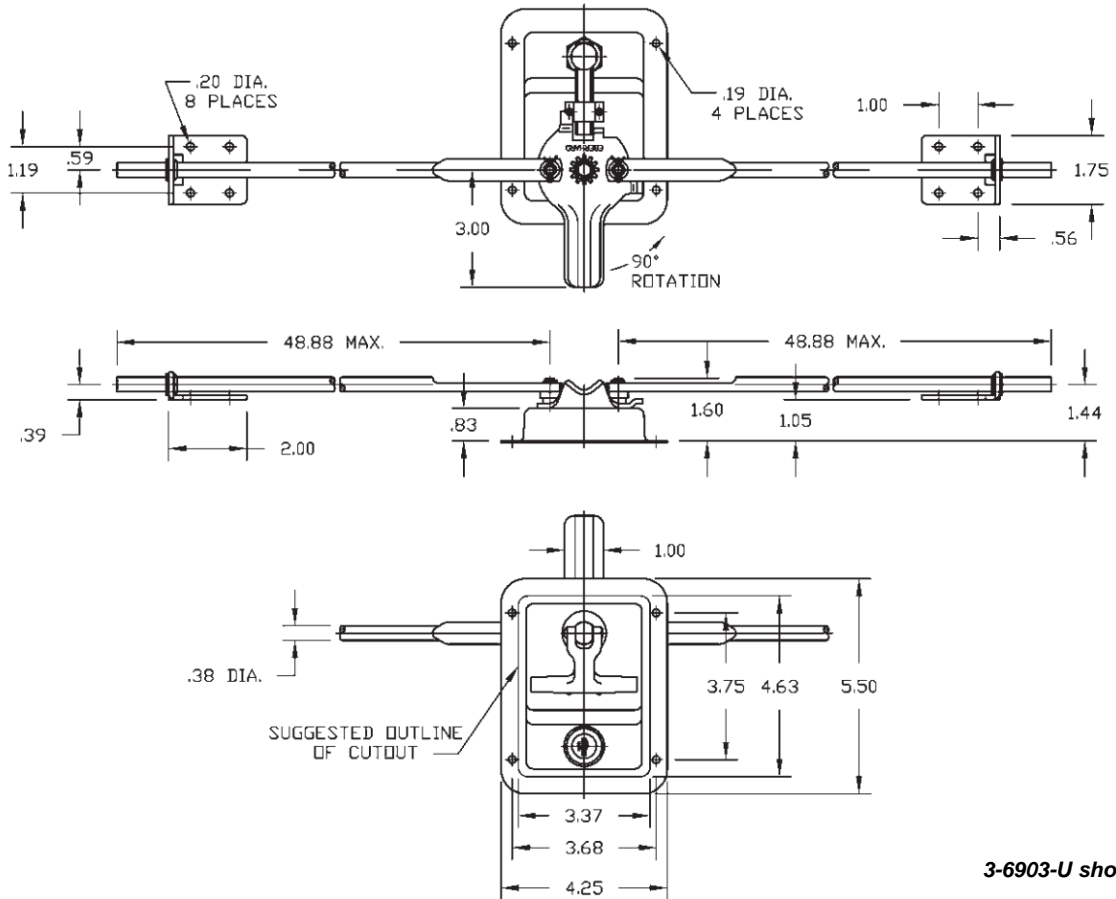
6903 Flushed Mounted T-Handle Latch

Features

- Flush mounted folding T-handle in rectangular receptacle pan
- Water resistant construction, available for single- or multipoint systems
- Multi-point system comes with rods and rod guides
- Available as key locking or non locking

Material

- Rectangular pan: Steel, zinc plated or stainless steel



3-6903-U shown

Part No.	Type	Pan Material	Key
3-6903-50	Single Point (receptacle pan only)	Zinc Plated	Locking
3-6904-50			Non-Locking
3-6903-SS50		Stainless Steel	Locking
3-6904-SS50			Non-Locking
3-6903-U	Multi Point System (includes 48" rods and rod guides)	Zinc Plated	Locking
3-6904-U			Non-Locking
3-6903-SSU		Stainless Steel	Locking
3-6904-SSU			Non-Locking

Dimensions in inches



We are Eberhard's exclusive distributor